



## American Dynamics™ Discover Indoor Series

### Mini-Domes

#### Features That Make a Difference:

- Economical, high quality camera for indoor applications where vandalism is not a concern
- 540 TVL super high resolution 1/3" camera provides superior image quality and color reproduction
- Night-Saver mode for low light conditions
- Three vari-focal auto iris lens options
- Snap-on bubble liner for covert appearance
- Advanced pivoting axis provides greater viewing flexibility
- Easy installation with quick mounting accessory

The Discover Indoor series of Mini-Domes offers you the budget-friendly price you want while delivering the high quality camera you need. The Discover Indoor super high resolution Mini-Dome has 540 TVL and also includes a user-selectable Night-Saver mode. The Night-Saver mode automatically switches the cameras to B/W in scenes with less lighting to provide you with better low-light detail performance.

For challenging lighting environments, a selectable expanded auto white balance mode is available. Vivid colors and powerful low light performance provide some of the best images available on the market today.

Easy installation and adjustment features mean that your system can quickly be up and running. An advanced pivoting 3-axis gimbal lets you position the camera at exactly the angle you need, while optimal white balance provides the clearest, most color-perfect images possible. Three different vari-focal auto iris lens size options are available (2.5 – 6 mm, 3.8 – 9.5 mm, and 9 – 22 mm) to provide the flexibility needed to get the exact scene you want.

Choose between a clear or tinted bubble; the included bubble liner adds an extra layer of covertness.

Discover Indoor Mini-Domes can easily be mounted on a surface by using the three mounting screws or with the quick installation mounting accessory included with each unit.

**General Specifications**

Imager	.1/3 inch CCD
Video Output	.1.0 Vp-p/75 ohm, BNC
Horizontal Resolution	.540 TVL
Active Pixel Count (H x V)	.NTSC: 768 x 494 (PAL: 752 x 582)
Minimum Scene Illumination	.0.65 lux @ F1.2
Sync System	.Line-lock, adjustable or internal
S/N Ratio	.50 dB
White Balance	.Automatic White Balance
AWB Ranges - Normal (Extended)	.2700 – 11,000 K (2,000 – 18,000 K)
Backlight Compensation	.Center weighted on/off
Flickerless Mode	.Selectable on/off
Night-Saver Mode	.Selectable on/off
Power Consumption	.4.2 watts
Weight	.0.3 kg (0.7 lbs)
Housing	.Polycarbonate
Dome	.Polycarbonate

**Physical**

Dimensions	.100 x 120 mm (3.9 x 4.7 in)
Housing Color	.White
Environmental Rating	.Indoor only
Bubble Diameter	.95 mm (3.7 in)
Bubble Thickness	.1.0 mm (0.04 in)
Bubble F-Stop	.F1.0 (tinted); F0 (clear)
Pan & Effective Tilt	.360° & 180° (+/- 90°)
Power Input <sup>1</sup>	.12 VDC -10% +20% 24 VAC +/-20%, 50/60 Hz

**Electrical & Environmental**

Power Connection	.Flying lead or plug
Operating Temperature	.-10° to 50° C (-14° to 122° F)
Storage Temperature	.-20° to 60° C (-4° to 140° F)
Humidity	.90% (noncondensing)

**Regulatory**

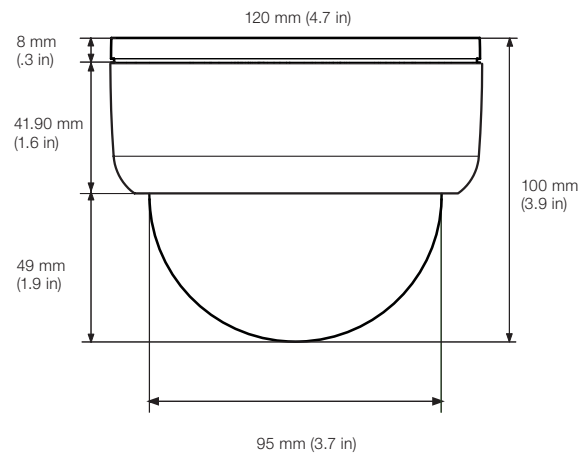
Emissions	.FCC part 15 Class B CE: EN55022 ICES-003
Immunity	.CE: EN50130-4
Safety	.UL/cUL; CSA C22.2 RoHS Compliant

**Lenses**

2.5 – 6 mm auto iris lens	
F-Stop	.F1.3 ~ 360
Field of View (H x V)	.108.2° x 80.4° (wide) & 47.6° x 35.6° (tele)
3.8 – 9.5 mm auto iris lens	
F-Stop	.F1.2 ~ 360
Field of View (H x V)	.74.2° x 54.0° (wide) & 30.0° x 22.4° (tele)
9 – 22 mm auto iris lens	
F-Stop	.F1.8 ~ 360
Field of View (H x V)	.30.7° x 22.7° (wide) & 14.1° x 10.6° (tele)

**Mounts & Accessories**

ADCPWMPEND	.Pendant mount adapter
ADCDSL	.Video service lead cable



BRAND	TYPE & FINISH	CAMERA	LENS	BUBBLE	FORMAT
AD	XXX	X	XXXX	X	X
AD	CPW = Indoor, White	H = High resolution	2506 = 2.5 – 6 mm 3895 = 3.8 – 9.5 mm 0922 = 9 – 22 mm	C = Clear T = Tinted	N = NTSC P = PAL

<sup>1</sup> NEC Class 2/LPS power supply required.

Product offerings and specifications are subject to change without notice. Actual products may vary from photos. Not all products include all features. Availability varies by region; contact your sales representative. Certain product names mentioned herein may be trade names and/or registered trademarks of other companies.

© 2007 Sensormatic Electronics Corporation. All rights reserved. AD0099-DS-200710-R01-LT-EN

